

Decoder circuit board for Märklin steam locos, items 8040/8041

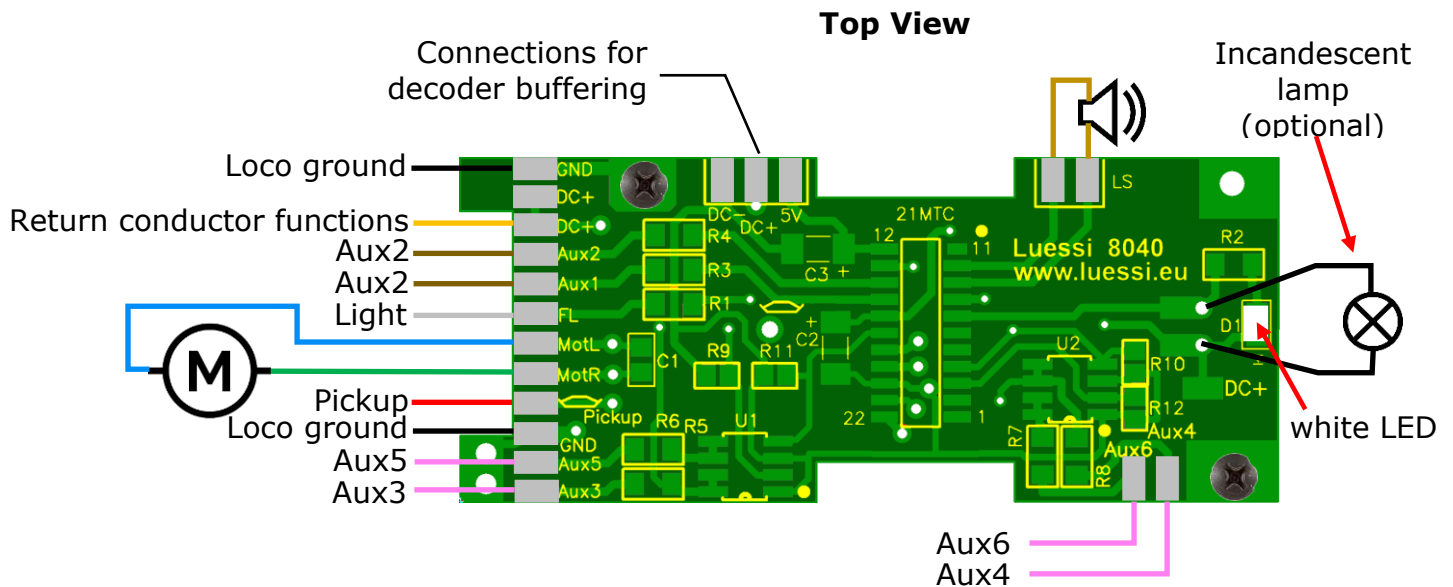
The printed circuit boards 8040 and 8041 have been developed for various Märklin steam locomotives with a tender to digitize them in the easiest and cleanest way possible. The PCBs are equipped with a 21MTC interface, all important connections are led out to large solder pads.

The connections Aux3 to Aux6 are amplified on the PCB at 8041 and are led out via resistors, so that LEDs can be connected directly to the PCB. With article 8040 these outputs are led out unamplified.

Both versions have a white LED for the rear light, so that the existing bulb can be removed. Nevertheless, there are solder connections for the bulb on the PCB, if you prefer the bulb. The circuit boards have the same size of 62 x 26mm as the original circuit board and therefore fit exactly into the tenders of various Märklin steam locomotives instead of the original one and are fixed with the existing screws.

Connections

Colours according to Märklin Standard (where possible)



Wire colour table

| | Märklin | NEM (DCC) | Decoder Output |
|-------|---------|-----------|-----------------------|
| br/gn | | | Aux2 |
| bl | | | Motor right |
| rd | | | Pickup |
| yw | | | Rear light |
| or | | | Decoder plus (return) |
| br/rd | | | Aux1 |
| gr | | | Front light |
| br | | | Loco ground (wheels) |
| gn | | | Motor left |

Compatible Locos

Various older Märklin BR03, BR41, BR44 and BR50 models can be converted with this circuit board.

Compare the existing circuit board of your loco with the picture above.