

Decoder circuit board for Märklin BR152, item no. 8044/8045

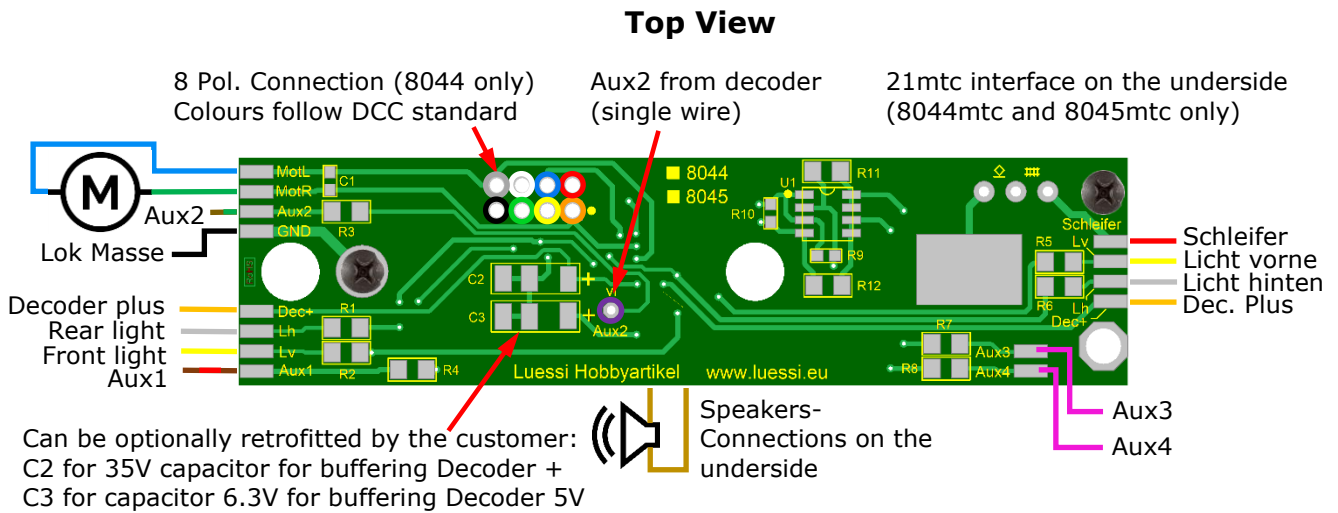
The circuit boards 8044 and 8045 have been developed for Märklin electric locomotives of the BR152 series to digitize them in the easiest and cleanest way possible. The PCBs are equipped with an 8 pole or 21MTC interface, all important connections are led out to large solder pads.

The connections Aux3 and Aux4 are amplified on the PCB 8045 and are led out via resistors, so that LEDs can be connected directly to the PCB. With article 8044 these outputs are not amplified.

The PCBs have the same size of 89.5 x 23mm as the original PCB and therefore fit exactly into the Märklin locomotives instead of the original PCB and are fixed with the two existing screws.

Connections

Colours according to Märklin standard (where possible)



Wire colours Märklin vs NEM / DCC standard

| | Märklin | NEM (DCC) | Decoder Output |
|-------|---------|-----------|------------------------------|
| br/gn | | | Aux2 |
| bl | | | Motor right |
| rd | | | Pickup |
| yw | | | Rear light |
| or | | | Decoder plus (for functions) |
| br/rd | | | Aux1 |
| gr | | | Front light |
| br | | | Loco ground (wheels) |
| gr | | | Motor left |

Versions

- 8044 PCB for Märklin BR152, Aux3/Aux4 not amplified. 8 pole interface
- 8044mtc PCB for Märklin BR152, Aux3/Aux4 not amplified. 21mtc interface
- 8045mtc PCB for Märklin BR152, Aux3/Aux4 amplified. 21mtc interface