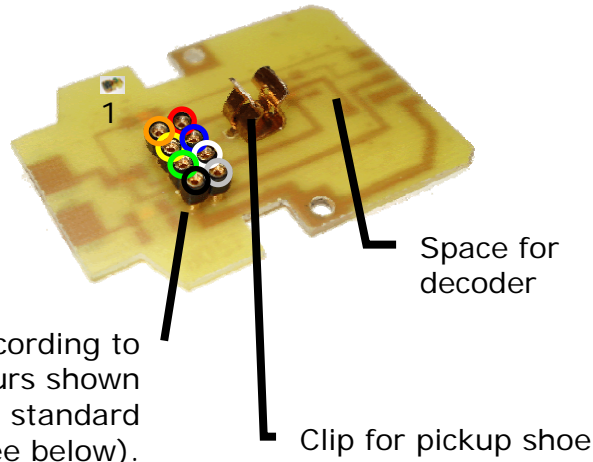
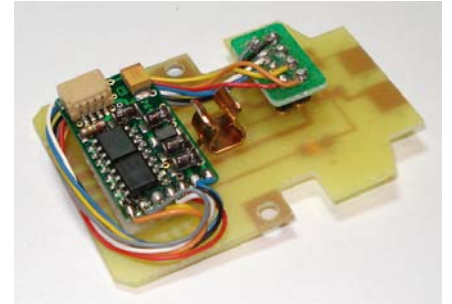


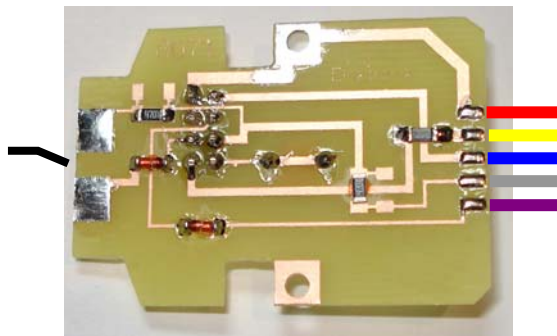
PCB for decoder replacement in Marklin locos class C. Part no. 8071



Interface according to NEM 652. The colours shown here are NEM standard (like the decoders, see below).



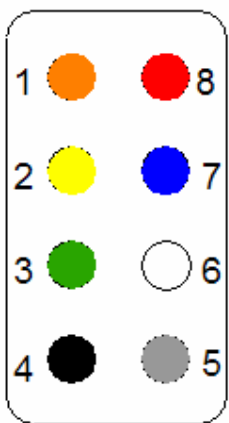
Example how to place the decoder.



Contact pads for rear LEDs.

Reconnect the wires the same way as they were on the original equipment. (The wire colours don't follow any standard.)

NEM 650/652 Interface



Marklin colours	NEM colours	Decoder, e.g. ESU LokPilot
bn/gn	-	Electronic - (Minus)
bl	1	vi Function F2
rd	8	or Motor right
ye	2	rd Pickup shoe
or	7	ye Light rear
bn/rd	3	bl Electronic + (plus)
gy	6	gn Function F1
bn	4	wh Light front
gn	5	bk Wheels (ground)
		gy Motor left