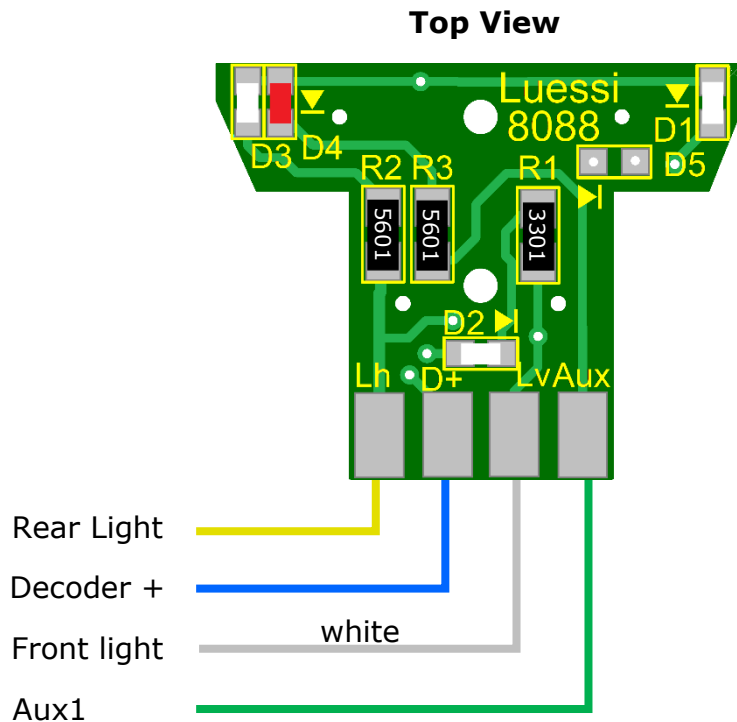


Light module for Märklin Ae 8/14 locomotives, item no. 8088

The 8088 light module has been developed for Märklin and Trix locomotives of the Ae 8/14 series. Many of these models used to be equipped with yellow LEDs. With this circuit board they can be converted to white LEDs.

In addition, this PCB has a red LED as taillight in the lower right corner.

The module has the same size as the original PCB and fits exactly in the same place as this one.



8088 Connections (Pads)

D+	Decoder plus
Lv	A-Light (together with connection Lh)
Lh	Single white LED bottom right
Aux	Red LED bottom right

Decoder connections and wire colours

NEM	Märklin	Decoder output	Description / Control unit
blue	orange	Decoder plus	Return conductor functions
white	grey	F0 fwd (Lv, F0v)	Light forwards (Front light)
yellow	yellow	F0 rev (Lh, F0h)	Light reverse (Rear light)
green	brown/red	Aux1	Function key F1
purple	brown/green	Aux2	Function key F2

Note

All LEDs are led over series resistors, so that the connectors can be wired directly to the decoder outputs.