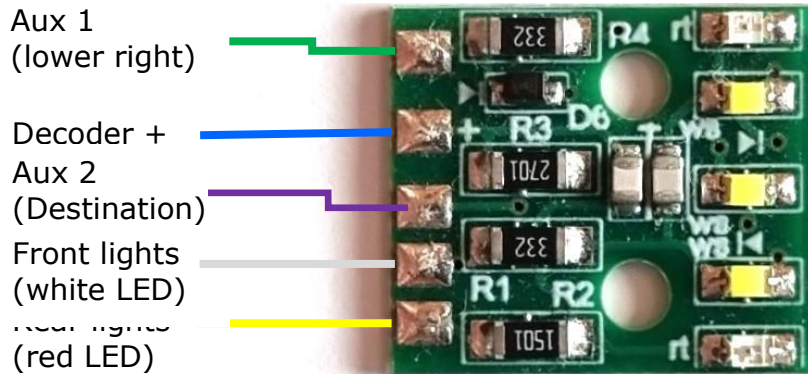


Light module for Fleischmann driving trailer, item no. 8094T(-K)

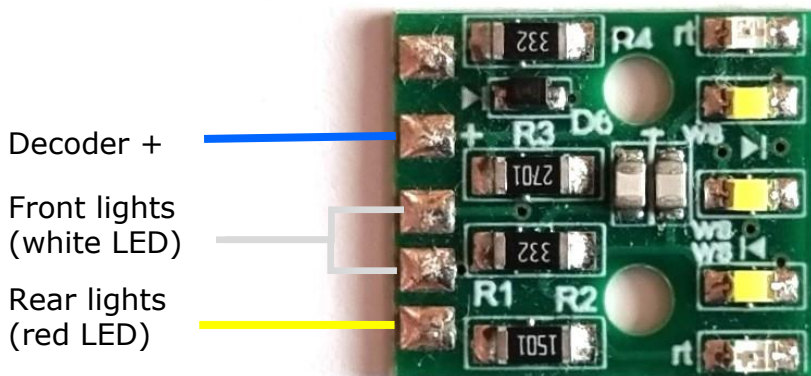
The light module 8094T has been specially developed for the Fleischmann ZVV double-decker driving trailer and to match the HAG Re 450 light module 8094.

The LED for the train destination display as well as the LED for the lower right lamp can be controlled separately. The module fits exactly in the same place as the original circuit board.

Connection (all possible lights separate)



Connection like the original PCB



8094T Connections (Pads):

D+	Decoder Plus
Lv	White lights
Lh	Red lights
Aux	Single white light lower right (parking)
Aux	Train destination display

Decoder connections and strand colours (according to NEM standard):

Blue	Decoder Plus	Funktions return lead
White	F0 forward	Front lights (Lv, F0v)
Yellow	F0 reverse	Rear lights (Lh, F0h)
Green	Aux1	mostly function key F1
Violet	Aux2	mostly function key F2