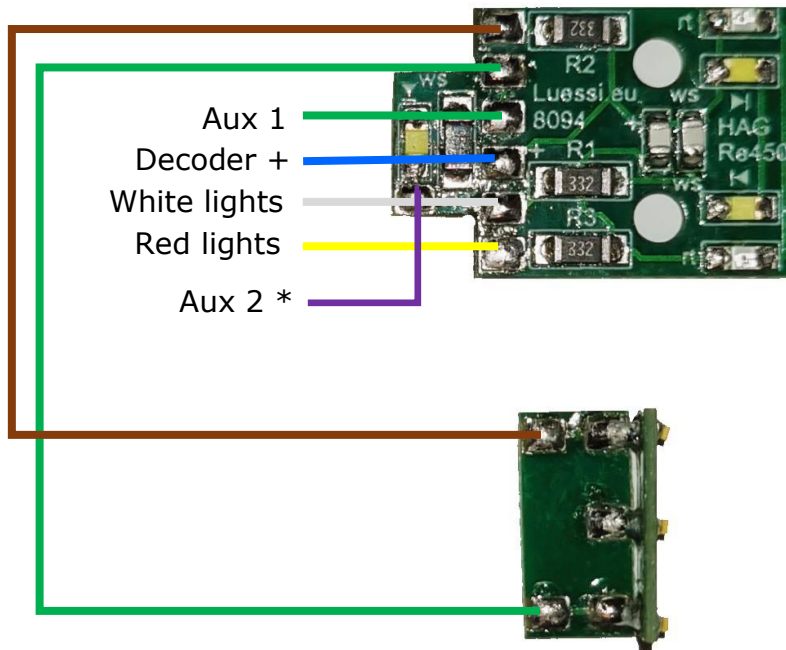


# Light module set for HAG Re 450 Locos, Item-No. 8094

The light module set 8094 has been specially developed for the HAG Re 450. The set consists of the lower circuit board with red and white LEDs, as well as a module for the train destination display. The two modules fit exactly in the same place as the original circuit board or the bulb of the train destination display.

The angular soldered circuit boards of the train destination indicator can be used instead of the incandescent lamp and provide uniform illumination with the three white LEDs.

## Connection



\* Aux 2 Only necessary for certain models

### 8094 Connections (Pads):

D+	Decoder Plus
Lv	White lights
Lh	Red lights
Aux <	Input Aux 1
Aux >	Output Aux 1 for destination indicator
Aux2	Optional for the destination indicator (depending on your model)
Light ZZ	Plus connection for the destination indicator

### Decoder Connections and Wire Colours (according to NEM standard):

Blue	Decoder Plus	Rückleiter Funktionen
White	F0 forward	Front light (Lv, F0v)
Yellow	F0 reverse	Rear light (Lh, F0h)
Green	Aux1	mostly function key 1
Violet	Aux2	mostly function key 2