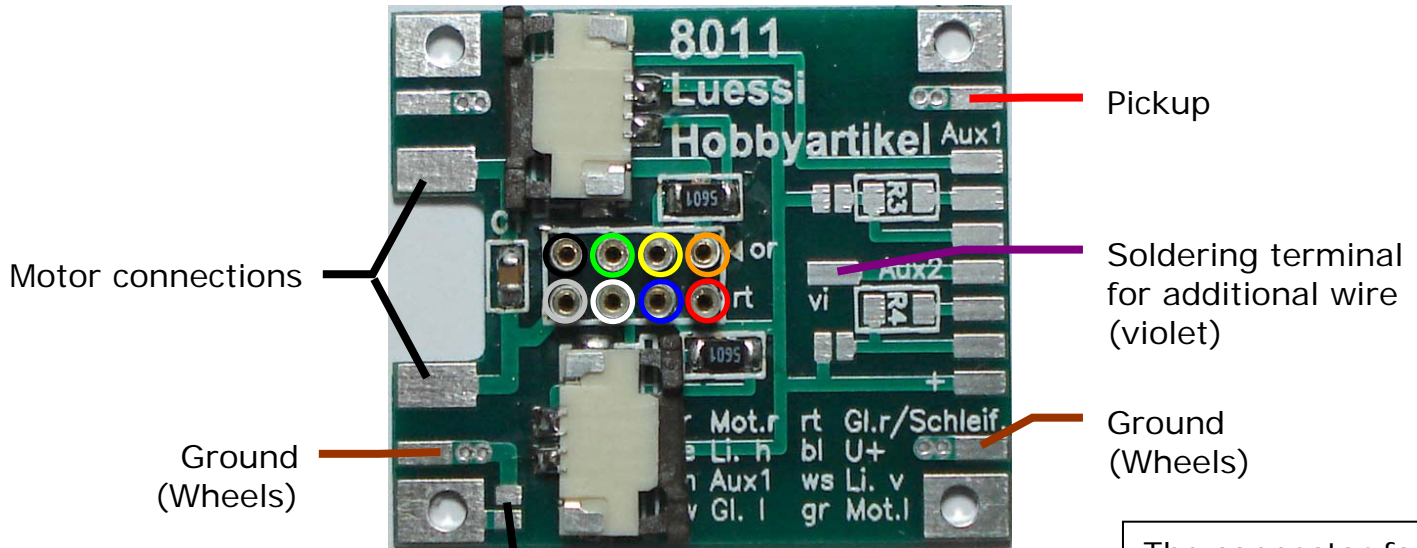


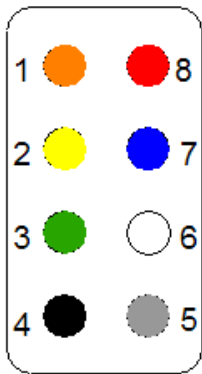
# PCB for decoder replacement in Marklin Locos, part no. 8011



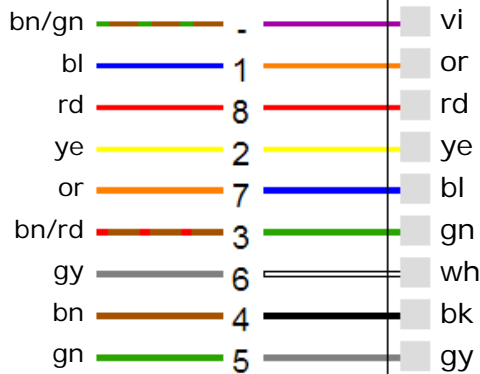
Solder these points together to connect the wheels to ground.

The connector for the flex print is locked by sliding in the retainer.

NEM 650/652 Interface



Marklin colours      DCC colours

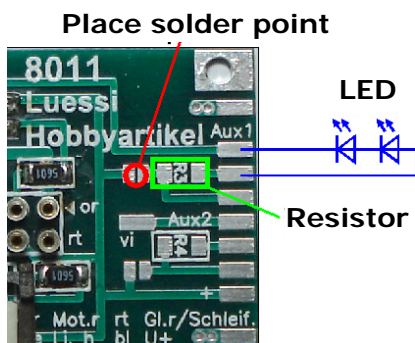


## ESU LokPilot

- vi Function F2
- or Motor right
- rd Pickup shoe
- ye Light rear
- bl Electronic + (plus)
- gn Function F1
- wh Light front
- bk Wheels (ground)
- gy Motor left

(c) 2004 R.Lüssi www.stayathome.ch

The printed circuit board offers the possibility to connect additional loads to the functions Aux1 and Aux2. Together with the decoder "plus" it is possible to add for example additional lights. For the usage of LEDs 2 pads for the necessary resistors are available. Example:



The connector for the flex print is locked by sliding in the retainer.