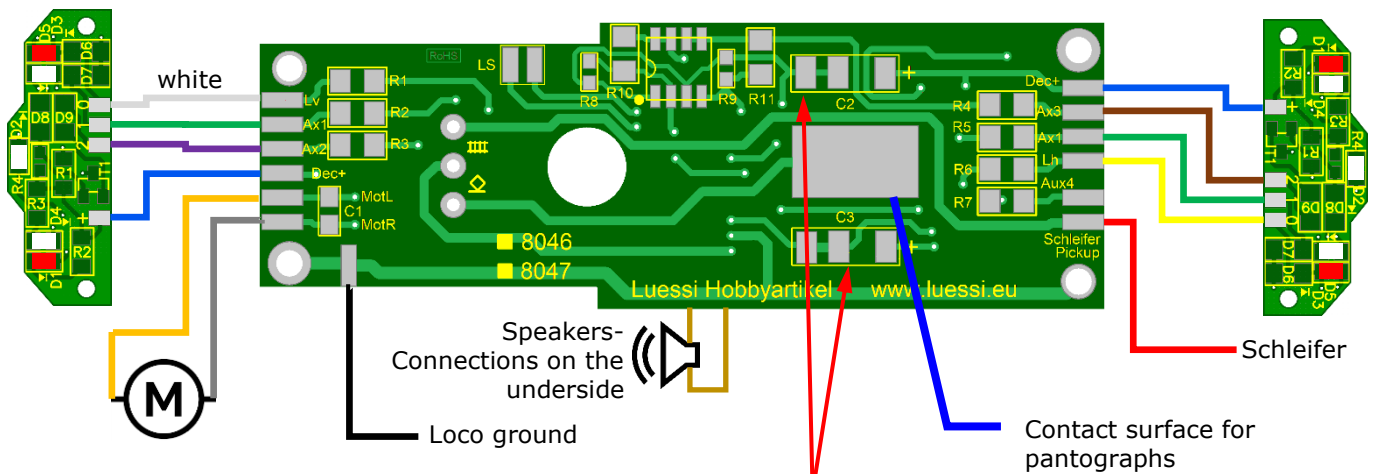
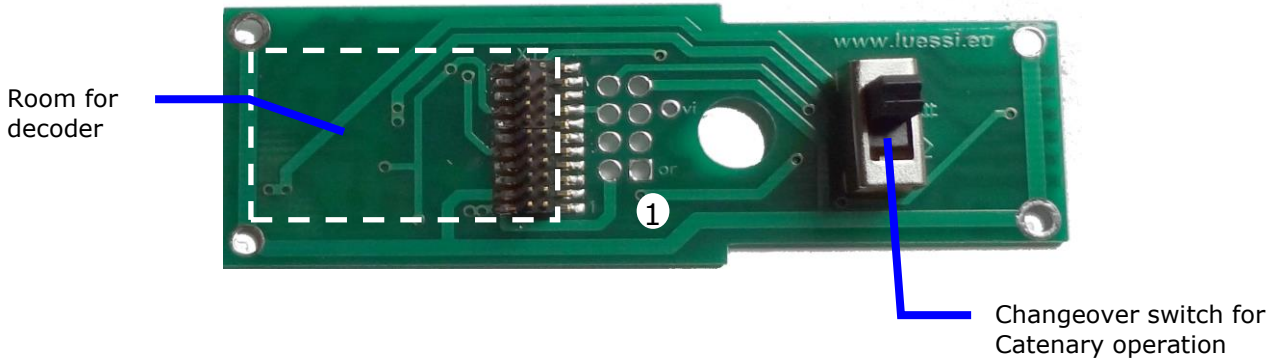


PCB for decoder installation in Märklin Re 4/4, article no. 8046/8047

The printed circuit board has been specially developed for connecting our 8084 light modules. With the 8047 version, the outputs Aux3 and Aux4 are amplified, with the 8046 version, the outputs are led out directly unamplified from the decoder.



Shown colours according to NEM/DCC standard

Pin assignment of the 21mtc interface:

21MTC Marklin Colours				21MTC NEM/DCC Colours			
Hall sensor 1	1	22	Pickup, Pantograph	Hall sensor 1	1	22	Pickup, Pantograph
Hall sensor 2	2	21	Wheels, Ground	Hall sensor 2	2	21	Wheels, Ground
Aux 6 (L)	3	20	DC (-) Functions	Aux 6 (L)	3	20	DC (-) Functions
Aux 4 (L)	4	19	Motor +	Aux 4 (L)	4	19	Motor +
Train bus Clock	5	18	Motor -	Train bus Clock	5	18	Motor -
Train bus Data	6	17	Aux 5 (L) / Motor (3)	Train bus Data	6	17	Aux 5 (L) / Motor (3)
Rear light	7	16	DC (+) Functions	Rear light	7	16	DC (+) Functions
Front light	8	15	Aux. 1	Front light	8	15	Aux. 1
Loudspeaker 2	9	14	Aux. 2	Loudspeaker 2	9	14	Aux. 2
Loudspeaker 1	10	13	Aux. 3 (L)	Loudspeaker 1	10	13	Aux. 3 (L)
Index pin	⊗	12	Vcc +5V Processor	Index pin	⊗	12	Vcc +5V Processor