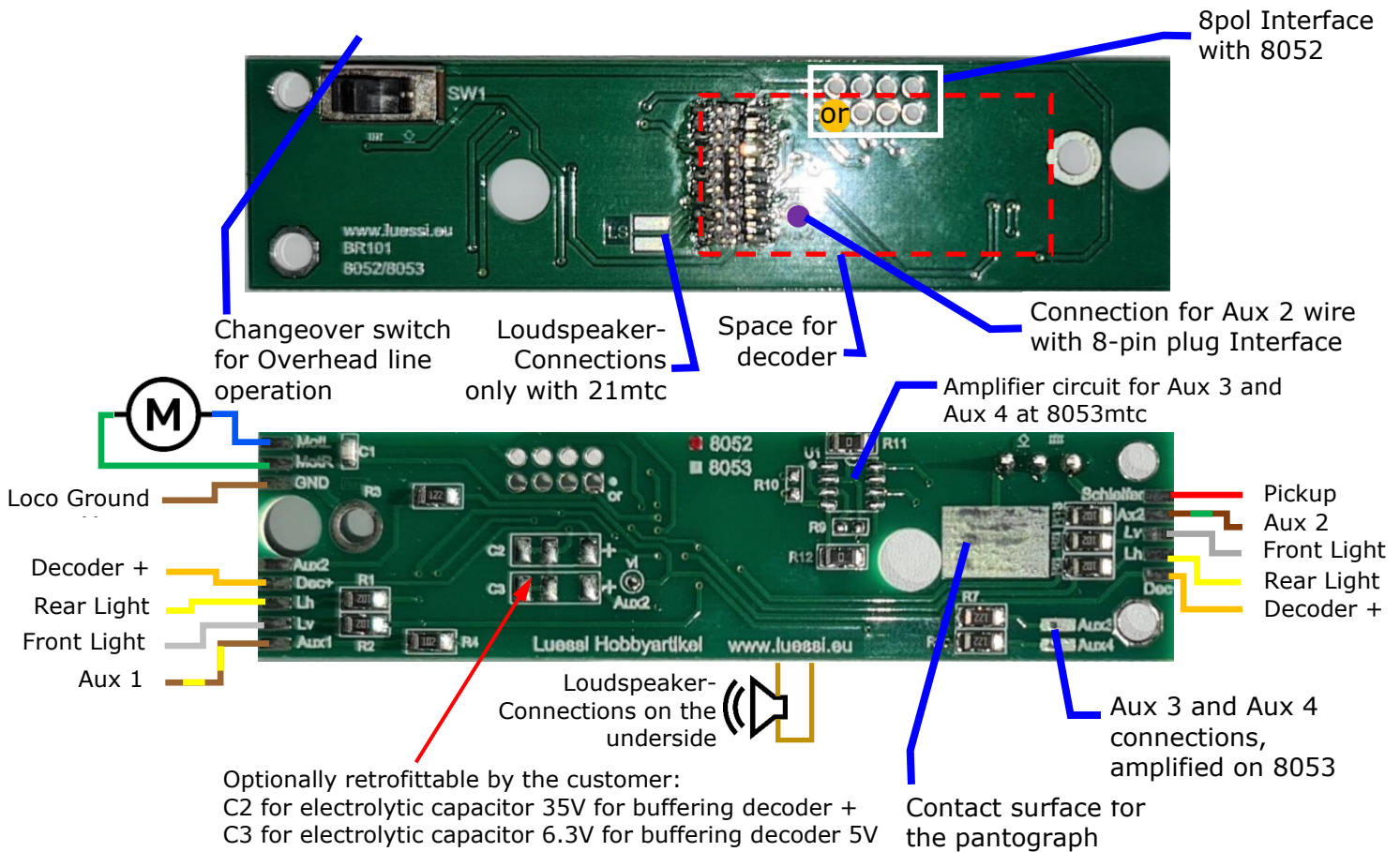


Printed circuit board for decoder installation in Märklin BR 101, Part No. 8052(mtc)/8053mtc

The circuit board has been specially developed for the Märklin BR 101 locomotives. With the 8053mtc version the outputs Aux3 and Aux4 are amplified, with 8052mtc the outputs are led out directly unamplified from the decoder. The version with 8-pin connector (8052) does not offer Aux 3 and Aux4 outputs from the decoder.



Colours shown above according to Märklin standard, as already in the loco

Pin assignment of the 21mtc interface:

21MTC Märklin Farben				21MTC NEM Farben			
Hallsensor 1	1	22	Schleifer, Pantograf	Hallsensor 1	1	22	Schiene rechts
Hallsensor 2	2	21	Räder, Masse	Hallsensor 2	2	21	Schiene links
Hallsensor 3	3	20	DC (-) Funktionen GND	Aux 6 (L)	3	20	DC (-) Funktionen GND
Aux 4 (L)	4	19	Motor +	Aux 4 (L)	4	19	Motor rechts (+)
Zugbus Clock	5	18	Motor -	Zugbus Clock	5	18	Motor links (-)
Zugbus Data	6	17	Motor (3)	Zugbus Data	6	17	Aux 5 (L)
Licht hinten	7	16	DC (+) Funktionen	Licht hinten	7	16	DC (+) Funktionen
Licht vorne	8	15	Aux 1 (F1)	Licht vorne	8	15	Aux 1
Lautsprecher 2	9	14	Aux 2 (F2)	Lautsprecher 2	9	14	Aux 2
Lautsprecher 1	10	13	Aux 3 (L)	Lautsprecher 1	10	13	Aux 3 (L)
Verdrehchutz	⊗	12	Vcc +5V Prozessor	Verdrehchutz	⊗	12	Vcc +5V Prozessor