

PCB for decoder installation in Märklin BR55, item no. 8058

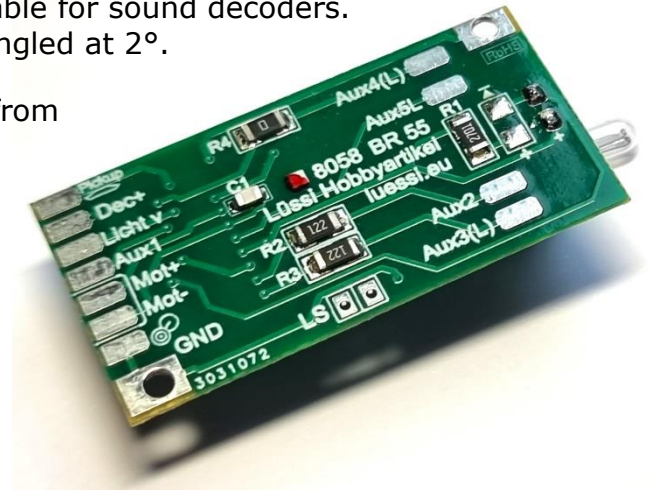
The circuit board 8058 has been developed for the Märklin locomotives of the BR 55 series and fits exactly in place of the original decoder.

Despite the limited space, this adapter is also suitable for sound decoders. For this purpose, the 21MTC connector has been angled at 2°.

The connections Aux2 to Aux5 are routed directly from the 21MTC interface to pads. The function of these connections depend on the decoder used.

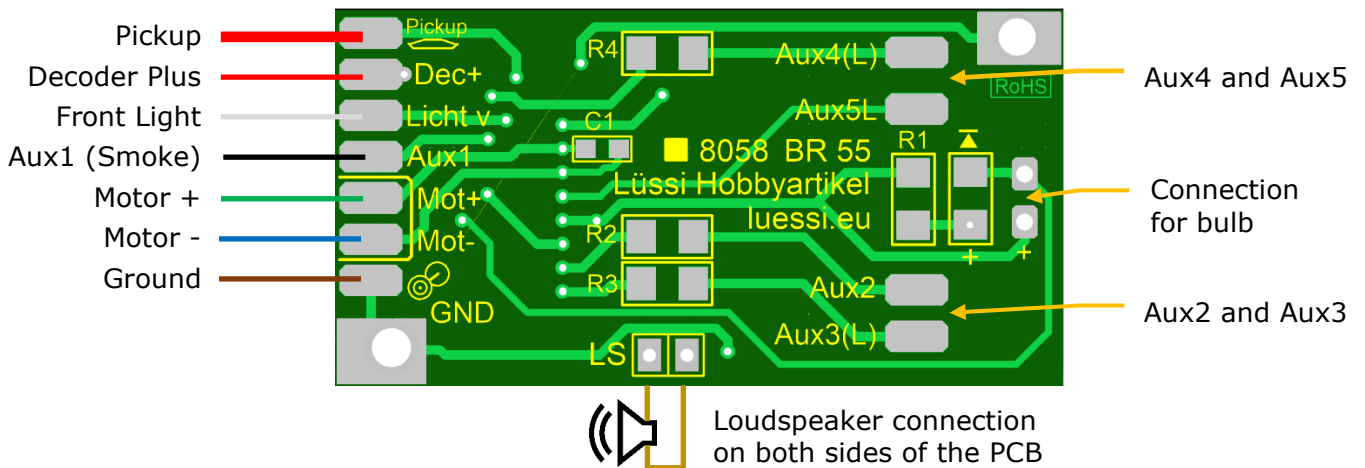
The wires of the locomotive are connected in exact same order as with the original decoder.

There is enough space for a loudspeaker above the circuit board under the coal imitation. Use adhesive mounting tape to attach a loudspeaker to the top of the PCB.



Important note:

The decoder is plugged onto this PCB turned 180°, i.e. with the socket of the decoder first onto the 21MTC connector!



Pin assignment of the 21mtc interface:

21MTC Marklin Colours				21MTC NEM/DCC Colours			
Hall sensor 1	1	22	Pickup, Pantograph	Hall sensor 1	1	22	Pickup, Pantograph
Hall sensor 2	2	21	Wheels, Ground	Hall sensor 2	2	21	Wheels, Ground
Aux 6 (L)	3	20	DC (-) Functions	Aux 6 (L)	3	20	DC (-) Functions
Aux 4 (L)	4	19	Motor +	Aux 4 (L)	4	19	Motor +
Train bus Clock	5	18	Motor -	Train bus Clock	5	18	Motor -
Train bus Data	6	17	Aux 5 (L) / Motor (3)	Train bus Data	6	17	Aux 5 (L) / Motor (3)
Rear light	7	16	DC (+) Functions	Rear light	7	16	DC (+) Functions
Front light	8	15	Aux. 1	Front light	8	15	Aux. 1
Loudspeaker 2	9	14	Aux. 2	Loudspeaker 2	9	14	Aux. 2
Loudspeaker 1	10	13	Aux. 3 (L)	Loudspeaker 1	10	13	Aux. 3 (L)
Index pin	⊗	12	Vcc +5V Processor	Index pin	⊗	12	Vcc +5V Processor