

Decoder circuit board for Märklin Re 460 locomotives, item 8068

The PCB 8068 has been developed for Märklin locomotives of the Re 460 and Ae 6/6 series to digitize them in a simple and clean way. The board is equipped with a 21MTC interface, all important connections are led out to large solder pads.

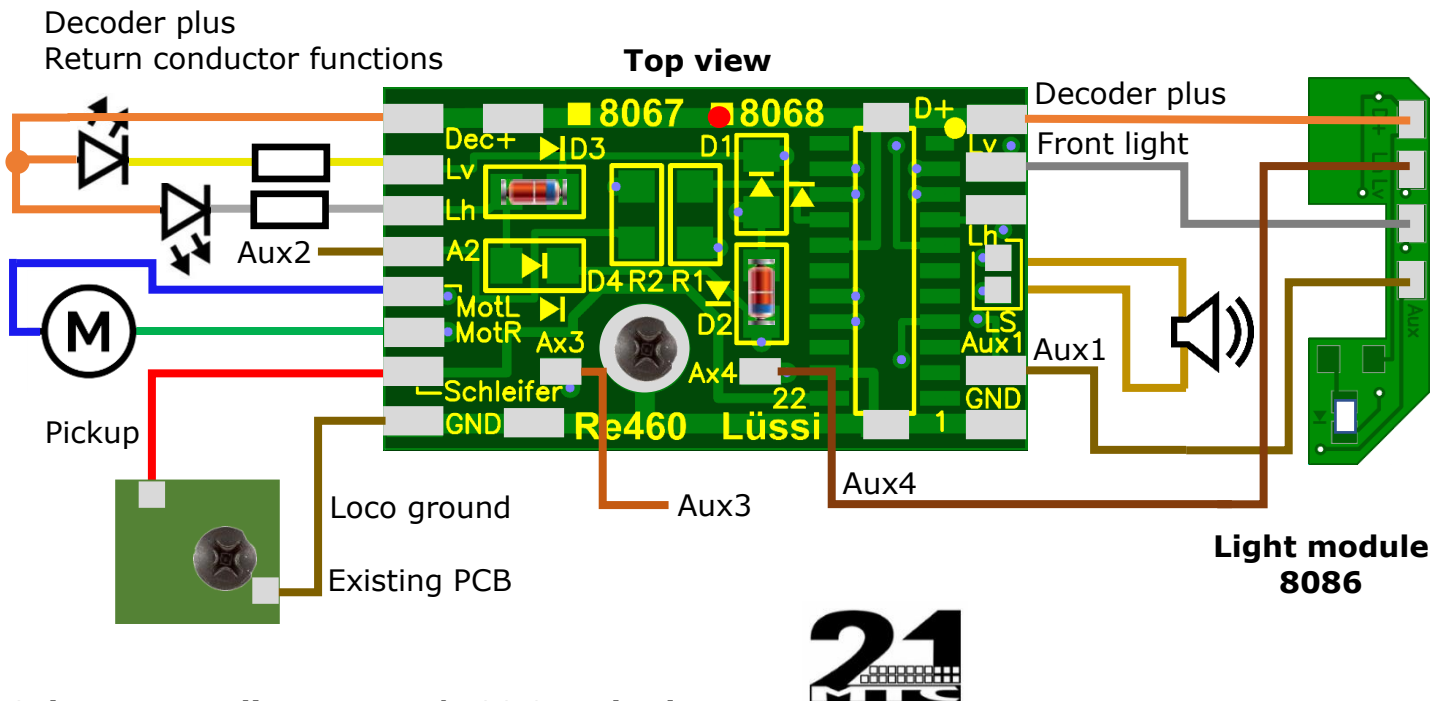
The version 8068 is intended for locomotives equipped with bulbs and will be converted to LED with the LED light modules 8086 (sold separately) or similar. Under part number 8067, a version is available for digitizing the locomotive while retaining the existing bulbs.

The two built-in diodes ensure that the single white LED at the bottom right always lights up when the other two white LEDs are lit up (A light).

The circuit board has a size of 32 x 18mm and therefore fits exactly into the Re 460 instead of the existing circuit board and is fixed with the existing screw.

Connection example, on the left with single LEDs, right and example with out light module 8086

Colours according to Märklin standard



Colours according to NEM/DCC Standard:

