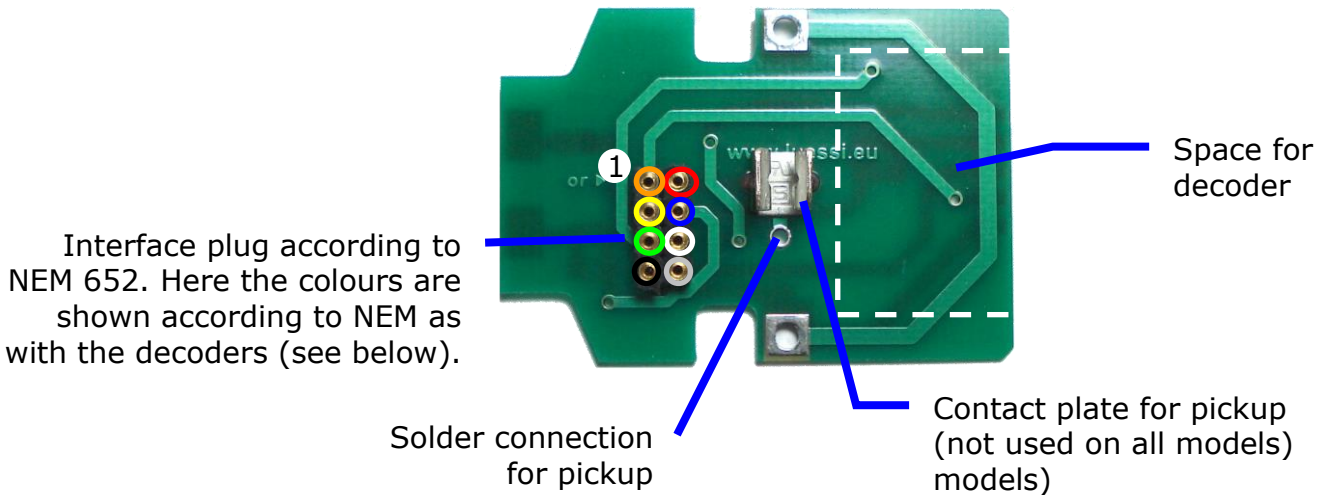


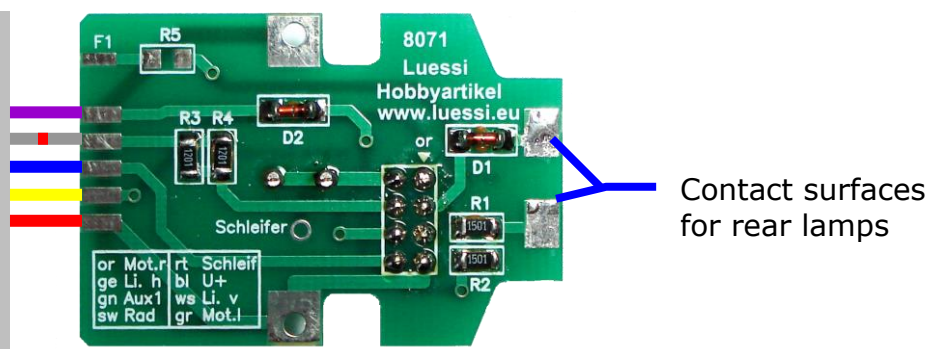
# PCB for decoder installation in Märklin class C, item no. 8071



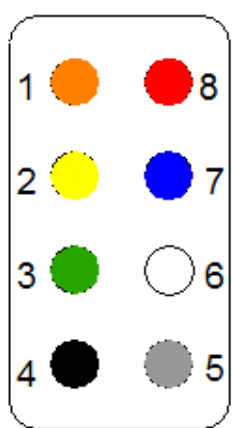
The strands are soldered on at the same place as on the original decoder.  
Here is:

- F1 Connection Aux1 (smoke)
- vi Front lamps
- gr return wire lamps (Dec+)
- bl motor 2
- yw motor 1
- rd Ground

The colours in the locomotive do not follow any standard!



## Schnittstelle nach NEM650/652



Märklin Farben	NEM Farben	Example: ESU LokPilot
br/gn	-	vi Elektronik - (Minus)
bl	1	or Funktion F2
rt	8	rt Motor rechts
ge	2	rt Schleifer
or	7	ge Licht hinten
br/rt	3	bl Elektronik + (Plus)
gr	6	gn Funktion F1
br	4	ws Licht vorne
gn	5	sw Räder (Masse)
		gr Motor links