

Light module for HAG locomotives Re 460, item no. 8092

The light module 8092 is intended for HAG locomotives of the Re 460 series, which are still equipped with incandescent lamps.

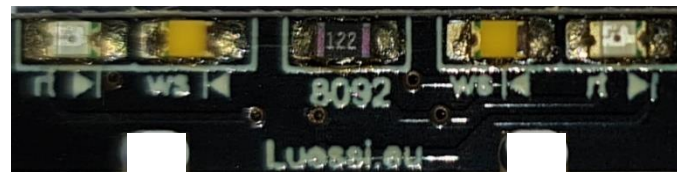
The circuit board fits exactly in the same place as the original circuit board with the bulbs and has the same size. Therefore, the module can be plugged in easily.

The circuit board has three white LEDs and two red LEDs.

Thus, the following light functions are possible:

- A-light (front light)
- Single white light bottom right (for the Swiss light change)
- Red light bottom left and right

The LEDs are connected via resistors, so the PCB can be wired directly to the decoder outputs. All connections are located on the back of the PCB.



Front view

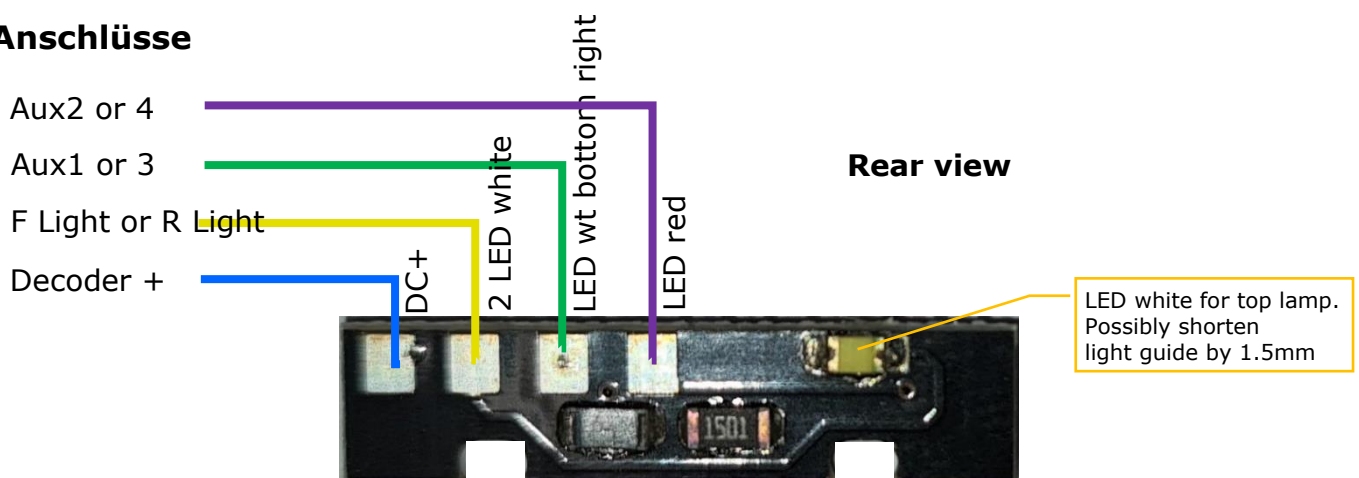
8092 Connections (Pads):

- + Decoder Plus
- F/R Light White LED (for A-light, the decoder must additionally control the single white LED at the bottom right (Mapping Aux 1 and Aux3)
- Aux1/3 Single LED white bottom right
- Aux2/4 Red LED bottom

Decoder connections and strand colours (according to NEM standard):

- | | | |
|--------|------------------------|------------------|
| Blue | Decoder Plus | return functions |
| White | F0 forward light front | (FL, F0v) |
| Yellow | F0 backward light rear | (RL, F0h) |
| Green | Aux1 | Function key 1 |

Anschlüsse



So, use the following decoder outputs:

Light module locomotive front: Dec +, Light front, Aux 1 and Aux 2

Light module locomotive rear: Dec +, Light rear, Aux 3 and Aux 4.

With the appropriate function mapping in the decoder, all the light functions mentioned above are possible.