

Light module for Märklin locos BR 101, 128, 152 and others, item no. 8093

The light module 8093 is intended for various modern electric locomotives, which are equipped with yellow LEDs, for example.

The circuit board fits exactly in the same place as the original circuit board and has the same size. Therefore, the module can be easily placed in the loco.

The PCB has five white LEDs and two red LEDs.

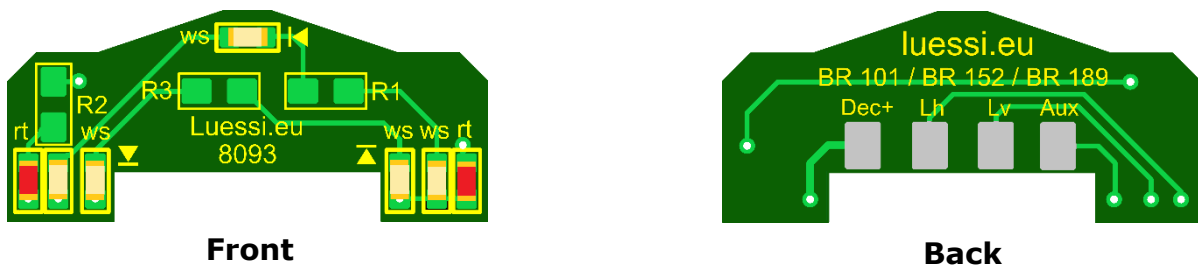
Thus the following light functions are possible:

- A-light (front light)
- Beam lights
- Red light bottom left and right

The light module comes with built-in series resistors for the LEDs. You can connect this module either directly to an exchange decoder, to the Märklin original decoder circuit board or to our decoder adapters.

If the lights appear too bright you might dim them using the decoder function. We recommend dimming the white front lights by 50%.

All connections are located on the back of the PCB.



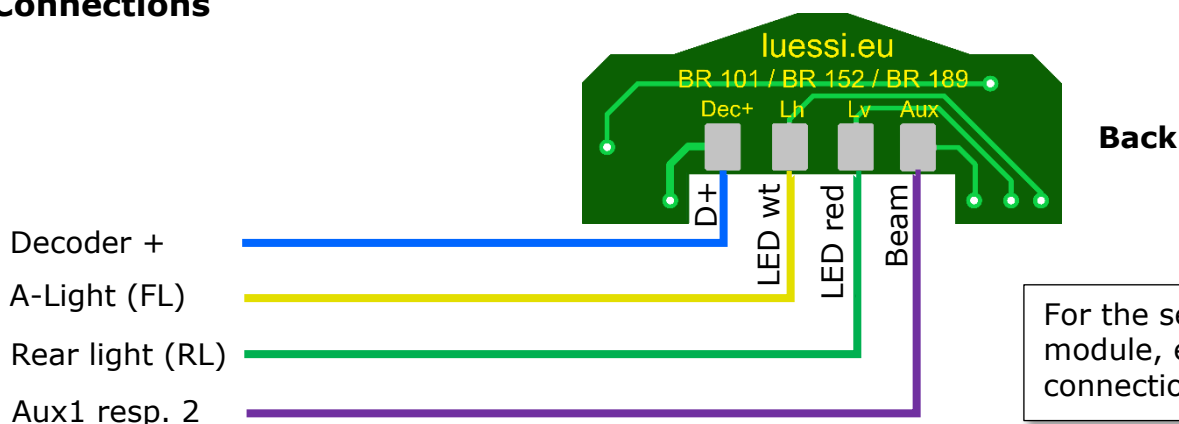
8093 Connections (Pads):

Dec+	Decoder Plus
Lv	White LED for A-light
Aux	High beam
Lh	Red LED bottom

Decoder connections and strand colours (according to NEM standard):

Blue	Decoder Plus (return wire functions)
White	F0 forward light front (FL)
Yellow	F0 rear light light rear (RL)
Green	Aux1 function key 1
Purple	Aux2 function key 2

Connections



For the second module, exchange the connections FL and RL